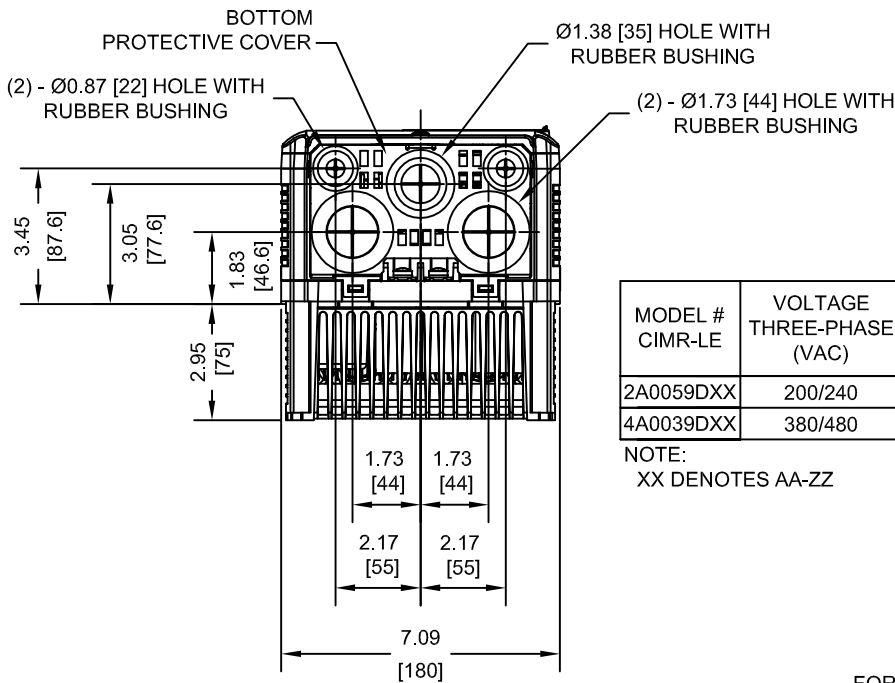
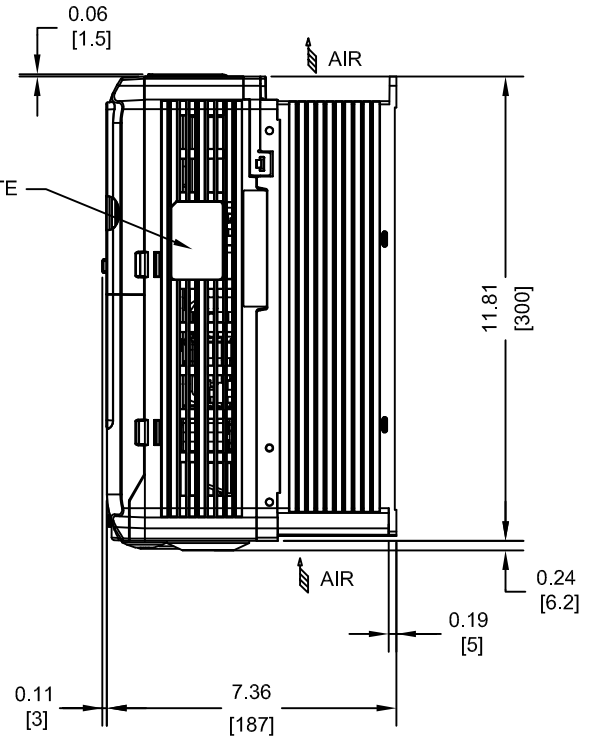
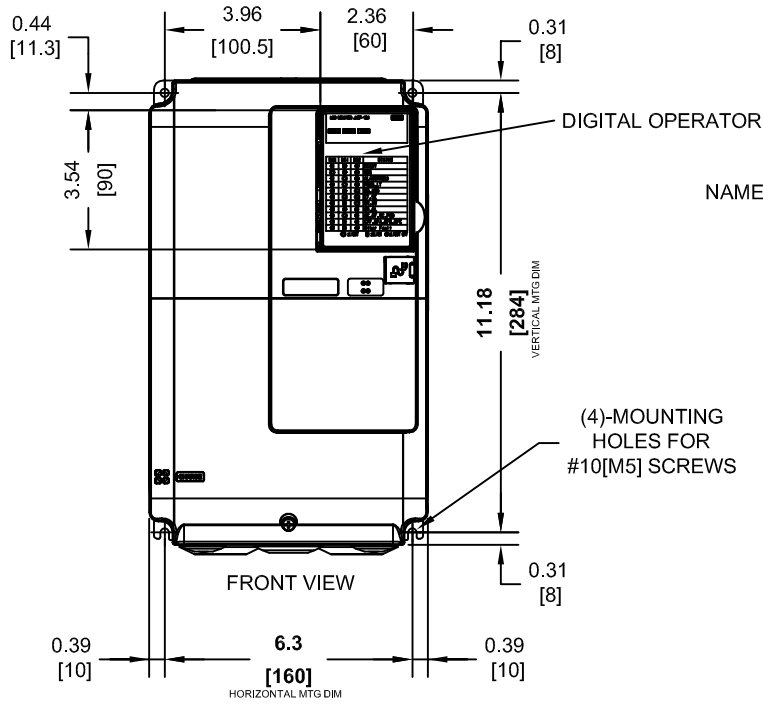


NOTE:
REMOVE THE TOP PROTECTIVE COVER TO OBTAIN THE
MAXIMUM SURROUNDING AIR TEMPERATURE RATING OF
122F(50C).



MODEL # CIMR-LE	VOLTAGE THREE-PHASE (VAC)	OUTPUT CURRENT (A) 3 MIN., 50% ED	WEIGHT LBS (Kg)	HEAT LOSS (W) Fc=8kHz		
				INT	EXT	TOT
2A0059DXX	200/240	58.8	12.3 (5.6)	129.9	280.2	410.2
4A0039DXX	380/480	38.8	12.5 (5.7)	140.8	262.6	403.4

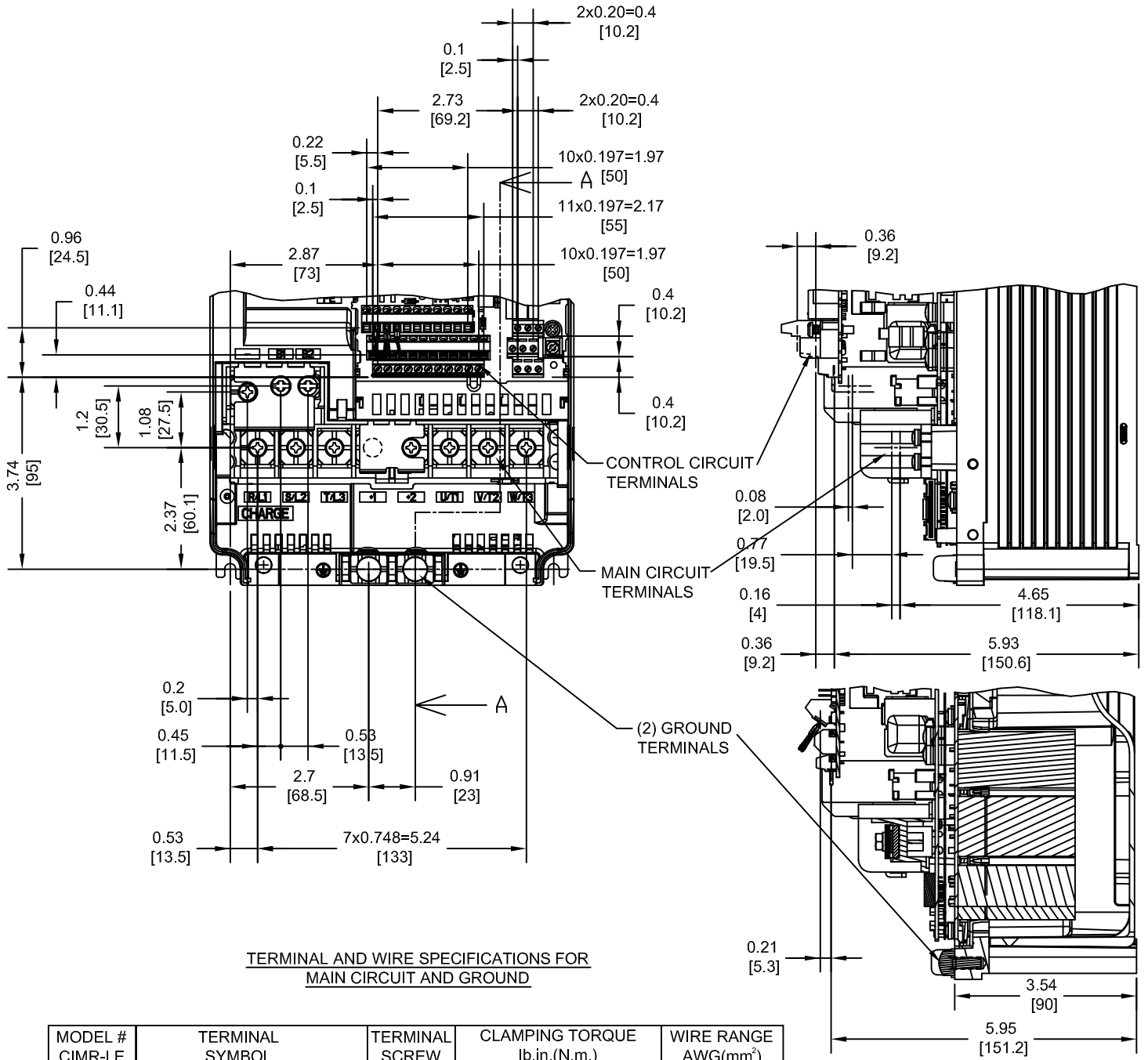
NOTE:
XX DENOTES AA-ZZ

INT=INTERNAL COMPONENTS
EXT=EXTERNAL HEATSINK
TOT=TOTAL

FOR ADDITIONAL DETAILS AND SPECIFICATIONS, CONSULT MANUAL

TOLERANCES / REFERENCES:		<p>THIS DOCUMENT AND INFORMATION CONTAINED IN IT ARE CONFIDENTIAL, AND CANNOT BE COPIED OR DISCLOSED IN WHOLE OR IN PART WITHOUT THE EXPRESS WRITTEN CONSENT OF YASKAWA AMERICA, INC.</p>	DRAWN: J. MATTAS	DATE: 11-22-13	TITLE: L1000E DIMENSION DRAWING FRAME SIZE 5 IP00 ENCLOSURE 2A0059 AND 4A0039
			CHECKED: J. PIOTROWSKI	DATE: 11-24-13	
			TECH: L. UDDIN	DATE: 12-2-13	
			APPROVED: J. CAIRO	DATE: 12-21-13	
UNITS: IN [mm]	SCALE: 1:5	ORIGINAL DESIGN: -	SIZE: A	REVISION: R00	PAGE: 1 of 3
			DRAWING #: DD.L1KE.FR5.IP00		

TERMINAL AND WIRING DETAILS (SCALE 1:3)



TERMINAL AND WIRE SPECIFICATIONS FOR MAIN CIRCUIT AND GROUND

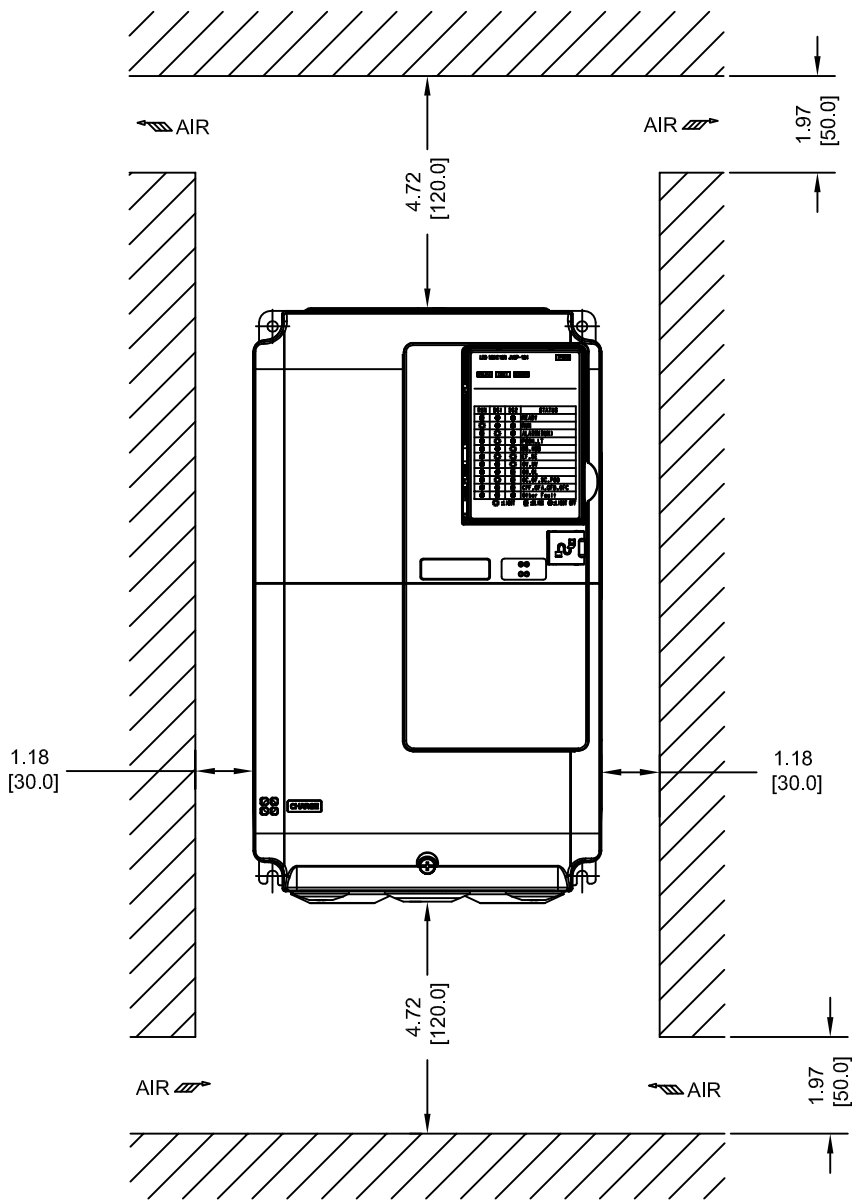
MODEL # CIMR-LE	TERMINAL SYMBOL	TERMINAL SCREW	CLAMPING TORQUE lb.in.(N.m.)	WIRE RANGE AWG(mm ²)
2A0059	R/L1, S/L2, T/L3, U/T1, V/T2, W/T3, ⊖, ⊕1, ⊕2,	M6	35.4 TO 53.1 (4 TO 6)	6-4 (16-25)
	B1, B2	M5	17.7 TO 22.1 (2 TO 2.5)	10-6 (6.0-16)
	⊕	M6	35.4 TO 53.1 (4 TO 6)	8-6 (10-16)
4A0039	R/L1, S/L2, T/L3, U/T1, V/T2, W/T3,	M5	17.7 TO 22.1 (2 TO 2.5)	8-6 (10-16)
	⊖, ⊕1, ⊕2,			6 (16)
	B1, B2			10-8 (6.0-10)
	⊕	M6	35.4 TO 53.1 (4 TO 6)	10-6 (6.0-16)

NOTE: REFER TO APPLICABLE CODES FOR PROPER WIRE TYPE AND SIZE

FOR ADDITIONAL DETAILS AND SPECIFICATIONS, CONSULT MANUAL

TOLERANCES / REFERENCES:			DRAWN: J. MATTAS	DATE: 11-22-13	TITLE: L1000E DIMENSION DRAWING FRAME SIZE 5 IP00 ENCLOSURE 2A0059 AND 4A0039
UNITS: IN [mm] SCALE: BY VIEW			CHECKED: J. PIOTROWSKI	DATE: 11-24-13	
		THIS DOCUMENT AND INFORMATION CONTAINED IN IT ARE CONFIDENTIAL, AND CANNOT BE COPIED OR DISCLOSED IN WHOLE OR IN PART WITHOUT THE EXPRESS WRITTEN CONSENT OF YASKAWA AMERICA, INC.	TECH: L. UDDIN	DATE: 12-2-13	SIZE: A REVISION: R00 PAGE: 2 of 3
			APPROVED: J. CAIRO	DATE: 12-21-13	
		ORIGINAL DESIGN: -	DATE: -	DRAWING #: DD.L1KE.FR5.IP00	

MINIMUM INSTALLATION CLEARANCES (SCALE 1:4)



FOR ADDITIONAL DETAILS AND SPECIFICATIONS, CONSULT MANUAL

TOLERANCES / REFERENCES:		<p>YASKAWA</p> <p>THIS DOCUMENT AND INFORMATION CONTAINED IN IT ARE CONFIDENTIAL, AND CANNOT BE COPIED OR DISCLOSED IN WHOLE OR IN PART WITHOUT THE EXPRESS WRITTEN CONSENT OF YASKAWA AMERICA, INC.</p>	DRAWN: J. MATTAS	DATE: 11-22-13	TITLE: L1000E DIMENSION DRAWING FRAME SIZE 5 IP00 ENCLOSURE 2A0059 AND 4A0039	
			CHECKED: J. PIOTROWSKI	DATE: 11-24-13		
			TECH: L. UDDIN	DATE: 12-2-13		
			APPROVED: J. CAIRO	DATE: 12-21-13		
UNITS: IN [mm]	SCALE: BY VIEW	ORIGINAL DESIGN: -	DATE: -	SIZE: A	REVISION: R00	PAGE: 3 of 3
			DRAWING #: DD.L1KE.FR5.IP00			